

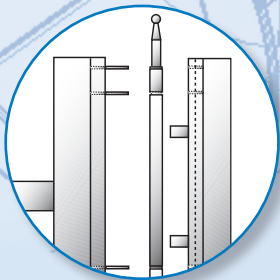
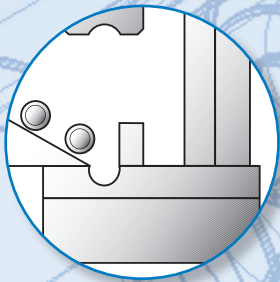
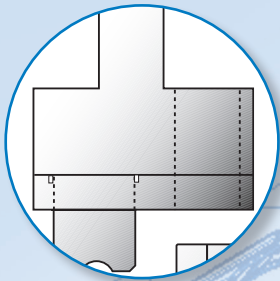
# O.E.M. Telescopic Aluminum Tube Assemblies

*O.E.M. is the core competency of our company*

As a former photographic tripod & lighting stand manufacturer, we can offer you design and manufacturing services on a wide range of components.

Rely on 98 years of innovative solutions, already tooled in many cases, to help you achieve success in your product development.

- Folding Stands
- Supports & Arms
- Metal Bases
- Clamps, and other devices



*Our speciality is the manufacture of aluminum telescopic tube assemblies.*

- Close tolerance high tensile strength round tubing with .038" walls.
- Telescopes in 1/8" increments (i.e. 7/8" fits into 1", 1" fits into 1 1/8", etc.).
- Tube diameters from 3/8" to 1-1/2", Tubes can be cut to any length.
- Assemblies can be from 2 sections up to 10 sections, depending on lock style.
- Stops and overlaps provide bearing and keep legs from pulling apart.
- Longer overlaps for extra long assemblies can provide extra bearing.

Our Engineering Department can work with you to design & produce the assembly that will best insure your project's success.

Raúl Fardín  
Vice-President Manufacturing

Larry Rubin  
CEO

Vincent Chin  
Pricing

## Engineering

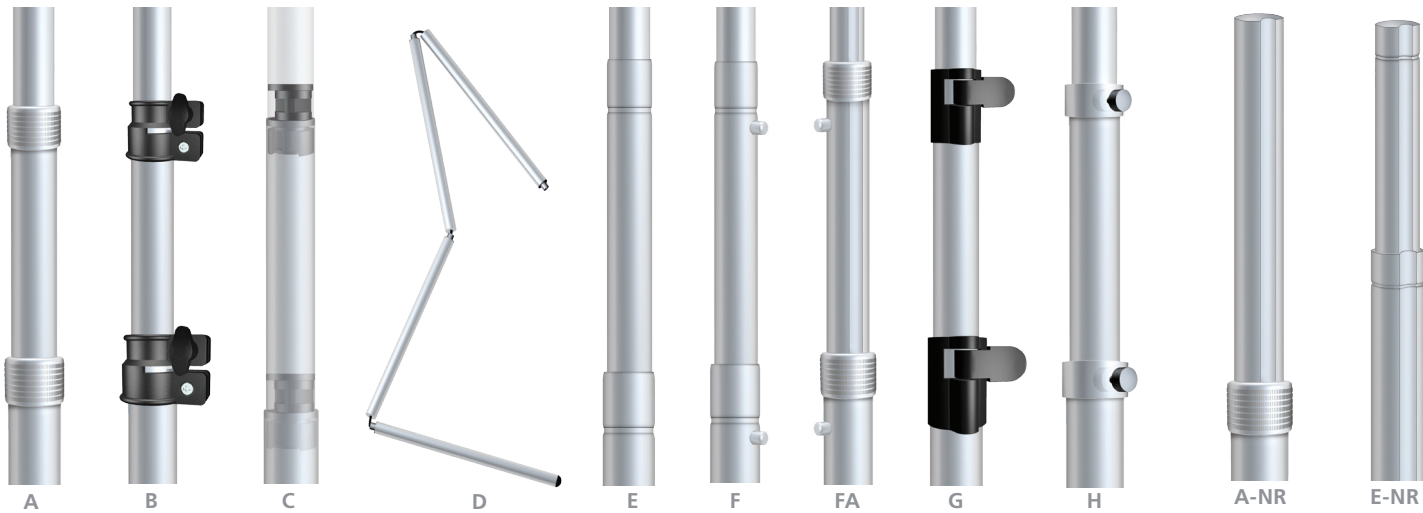
Telescopic Poles | Extension Poles | O.E.M. hardware

## Product Design Guide

www.TestriteOEM.com | 201-543-0258 | rfq@testrite.com

# O.E.M. Telescopic Aluminum Tube Assemblies

"RFQ" Request For Quotation Worksheet: Make copies for future projects



## Finishes

Etch & Clear or Black Matte Anodized, Mill Finish.

## -NR Option

Non-Rotational Allows legs to telescope, but not to turn.

## Leg Attachments/Ends

Male/Female Threads, Rubber Bumpers, Bends.

## Accessories

Ball Swivels, Mounts Channels, Flanges.

## Bases

Square, Round Discs, Tripodal, Magnetic.

- A** Aluminum "Clutch" Lock with knurl. Trouble-free, all metal.
- B** "Split Collar" locks very securely with ergonomic knob.
- C** Internal "Cam" lock, opens with simple quarter turn.
- D** "Presto" Shock Cord, opens by itself. One constant diameter.
- E** Telescopic & Captive, non locking.
- F** "Spring-Button" opens to specific positions. NR (non rotational) feature included. 3 sections maximum.
- FA** Same as F, but with an A Clutch Lock for extra bearing.
- G** "Snap Locks". Ergonomic and economical!
- H** Set knob, specially designed, non marring and captive.

**-NR Option** Non-Rotational  
Allows legs to telescope, but not to turn, not for lock styles C or D.

Contact: \_\_\_\_\_

Company: \_\_\_\_\_

Address: \_\_\_\_\_

City: \_\_\_\_\_ State: \_\_\_\_\_

Zip: \_\_\_\_\_ E-mail: \_\_\_\_\_

Phone: \_\_\_\_\_ Fax: \_\_\_\_\_

## 5. Diameters (check off all that apply):

- 3/8"    1/2"    5/8"    3/4"    7/8"    1"    1-1/8"    1-1/4"    1-3/8"    1-1/2"

## 8. Notes:

\_\_\_\_\_

\_\_\_\_\_

\_\_\_\_\_

\_\_\_\_\_

## 1. Leg Styles and Diameter Ranges (check all you would like quoted):

- |  |  |
|--|--|
| <input type="checkbox"/> A Clutch (3/8"–1-1/2")      | <input type="checkbox"/> E-NR (1/2"–1-3/8")                      |
| <input type="checkbox"/> A-NR (1/2"–1-3/8")          | <input type="checkbox"/> F Spring-Button (5/8"–1-3/8")           |
| <input type="checkbox"/> B Collar (1/2"–1-1/2")      | <input type="checkbox"/> FA Spring-Button A Clutch (5/8"–1-3/8") |
| <input type="checkbox"/> B-NR (1/2"–1-3/8")          | <input type="checkbox"/> G Snap Collar (1/2"–1-1/2")             |
| <input type="checkbox"/> C Cam (1/2"–1-1/4")         | <input type="checkbox"/> G-NR (5/8"–1-3/8")                      |
| <input type="checkbox"/> D Shock Cord (3/8"–1-1/2")  | <input type="checkbox"/> H Set knob (3/8"–1-1/2")                |
| <input type="checkbox"/> E Non-Locking (3/8"–1-1/2") |  |

## 2. Length opened:   3. Length closed:   4. Number of sections:

\_\_\_\_\_

## 6. Finish:

- Etched & Clear Anodized    Mill    Black Matte Anodized    Other Color

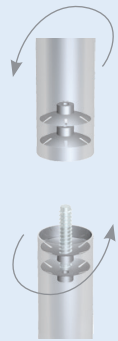
## 7. Quote Quantity:

Production Quantity(s): \_\_\_\_\_

Sample Quantity: \_\_\_\_\_

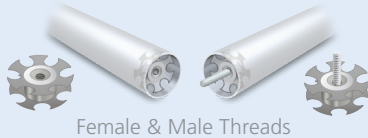
Drawings,  
blueprints,  
samples  
welcome

# O.E.M. Telescopic Aluminum Tube Assemblies



## Tubes Screw Together...

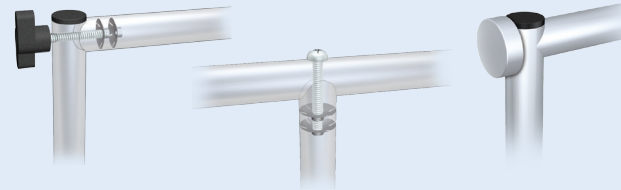
Join tubes together using cost-effective threaded connectors.



Female & Male Threads

For heavier applications, solid aluminum threaded bushings can be supplied.

## Perpendicular Tube Joints



Stocked in all diameters, these connectors, along with die cut radiused tube ends and with either a knob, screw, or puck, offers outstanding strength, cost effective 90° connections.



Once in screw joints are extremely strong.

## Non-Rotational (NR) option

**NR** feature, allows legs to telescope, but not to turn, keeping constant their relative orientation. Feature comes standard with the F style "Spring-Button". With the A lock it helps prevent unintended unlocking. Not available for lock styles C & D.

## Swaging

An economical way to form leg ends., so one leg nests into another. A spring button can be an option. Swaging features close tolerances and provides great strength. We are not set-up for all diameters yet.



Style A-NR



Style E-NR



Style AF-NR



Shown with and without optional Spring Button

## Finish Choices:

### Etched & Clear Anodized

Etched matte look and clear anodized. Beautiful satin finish. Cost effective.

### Black Matte Anodized

Non-reflective, handsome satin black.

### Mill Finish

Polished and shiny, unsealed, economical mill finish.

### Other Colors

Specify: Many anodized and powder coated options are available as well as PMS Color matches.

# Tube Assembly Ends, Attachments & Accessories



Dome & Flat Insert Caps

Rubber Bumpers

Female & Male Threads

Tube Notching

Bending

Leveling Glides

Casters

Handles & Grips

Leg Spikes

Expanded & Indented Lines

Piercing

Male & Female Metal Pucks

PROA1

PROA5

FSA8

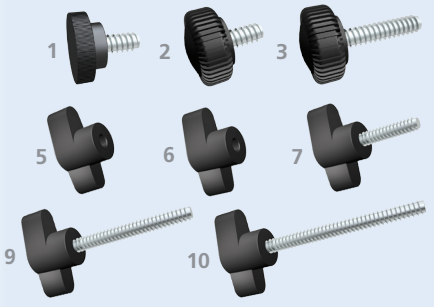
Photo Fittings & Screw Machine Parts

Mounting Flanges

Swivels

## Knobs:

Phenolic heads, steel threads



- KN1 3/4" Rd. 1/4-20 x 3/8" Long
- KN2 1" Round 1/4-20 x 3/8" Long
- KN3 1" Round 1/4-20 x 3/4" Long
- KN5 S Shaped 10-24 Female
- KN6 S Shaped M-6 Female
- KN7 S Shaped 1/4-20 x 7/8" Long
- KN9 S Shaped 1/4-20 x 1-9/16" Long
- KN10 S Shaped 1/4-20 x 2-3/8" Long



Sign Holders

3/4" & 1"

Snap on Adapters

Sign Channels

Yokes

C Clamps

VM Clamps

Handles & Grips

Stamped Mounts

Round

Square

Magnetic

Laser Cut Bases

Tripodal

**Bases** Many styles available, made to specifications.