

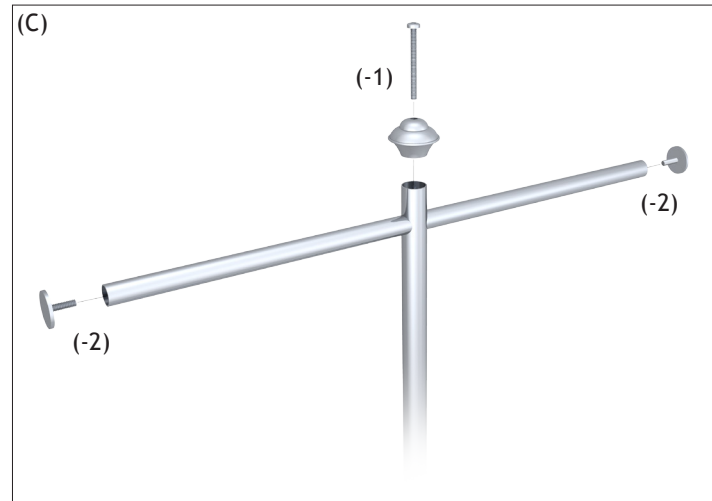
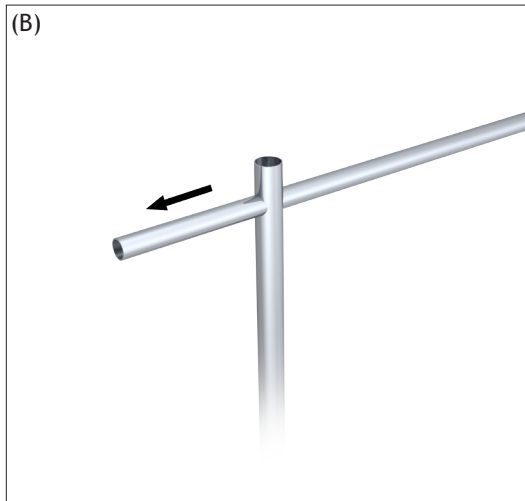
Exhibitor Products (Bag Racks™)

Applicable Products:

SBR Series

1. Determine base option and attach upright (fig. A).
2. Insert crossbar through upright (fig. B).
3. Screw finial onto pole using long Phillips head screw (fig. C-1).
4. Screw pucks onto crossbar (fig. C-2).

NOTE: Model shown below may differ from your model, but assembly instructions remain the same.



SBR1 shown