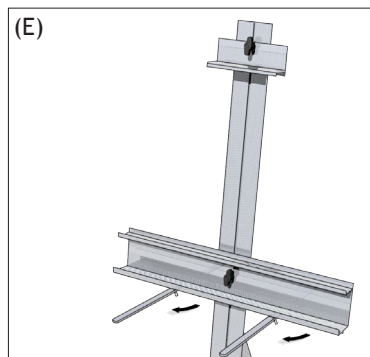
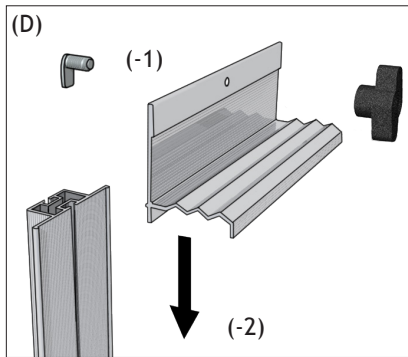
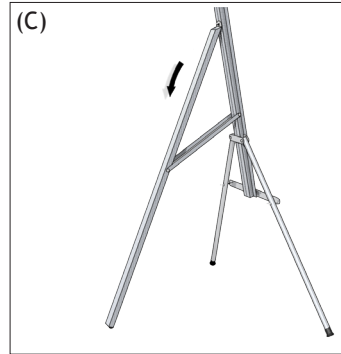
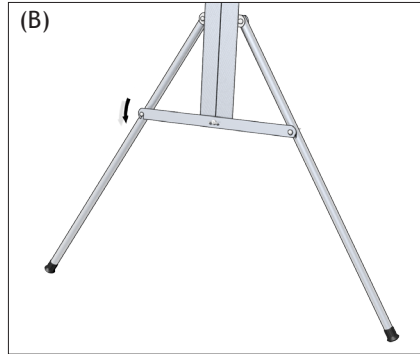
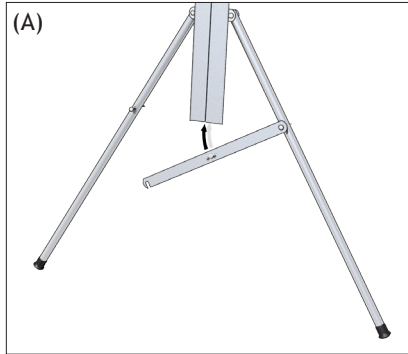


Classic Easel

1. Open front legs and slide carriage bolt into main support channel by rotating crossbar upwards (fig. A).
2. Secure second leg by sliding carriage bolt into crossbar notch (fig. B).
3. Extend back leg support and secure with wingnut (fig. C).
4. Attach metal feet to frame holder and utility tray (fig. D-1), then slide into support channel and tighten (fig. D-2).
5. Rotate palette holders if needed (fig. E).



Applicable Products:

500 Easel

