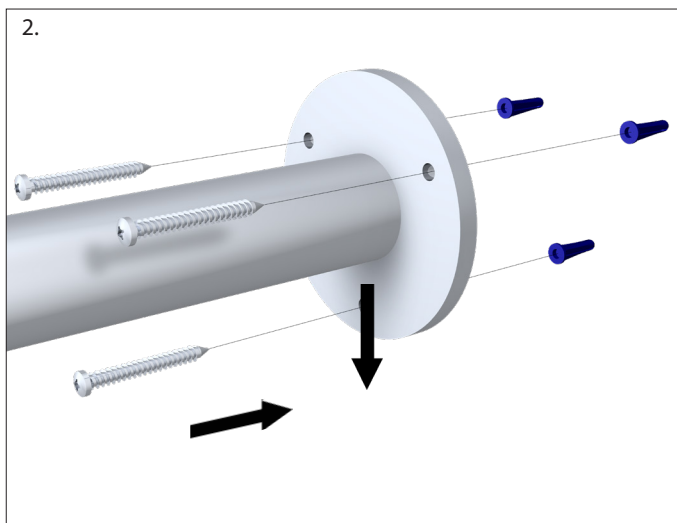
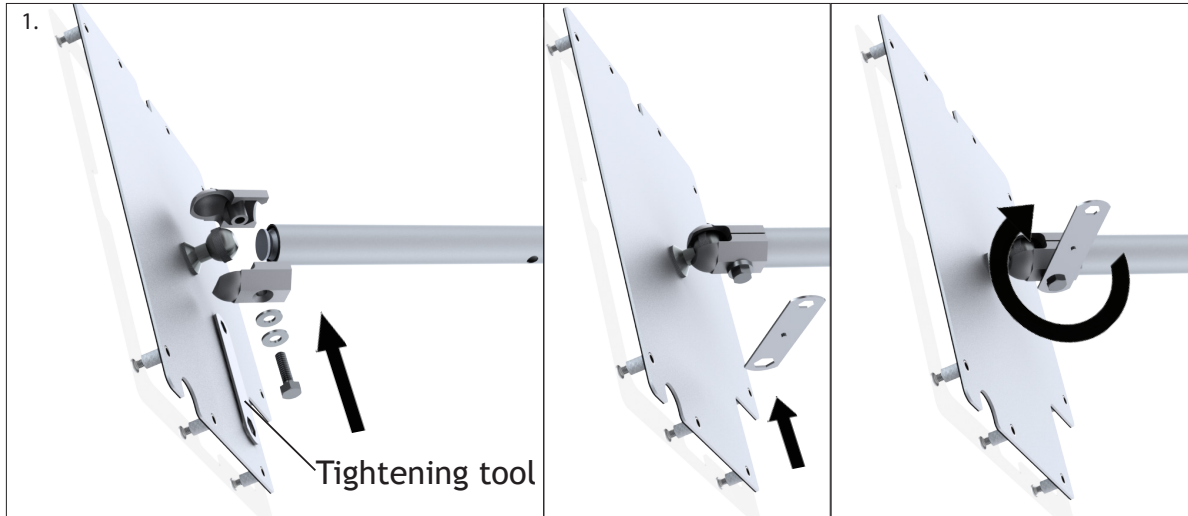


# Classic Wall Tablet Stand™ - IPDTW Series

1. Attach the Tablet casing to the stand-off as shown below using the bolt and washers provided. Use the magnetic tightening tool provided to tighten the bolt.
2. If mounting to drywall or hollow walls, pre-drill a 1/4" hole and insert Molly Anchors provided. Mount tablet stand to wall using three (3) Phillips head screws provided.
3. Remove acrylic cover using small tamper-proof key provided. Place tablet inside and reassemble unit.



IPDTW-S shown