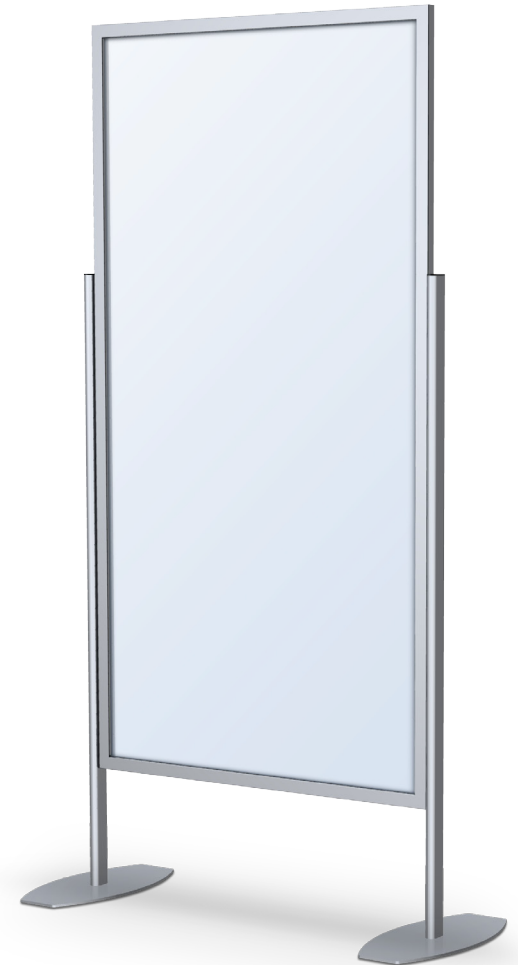
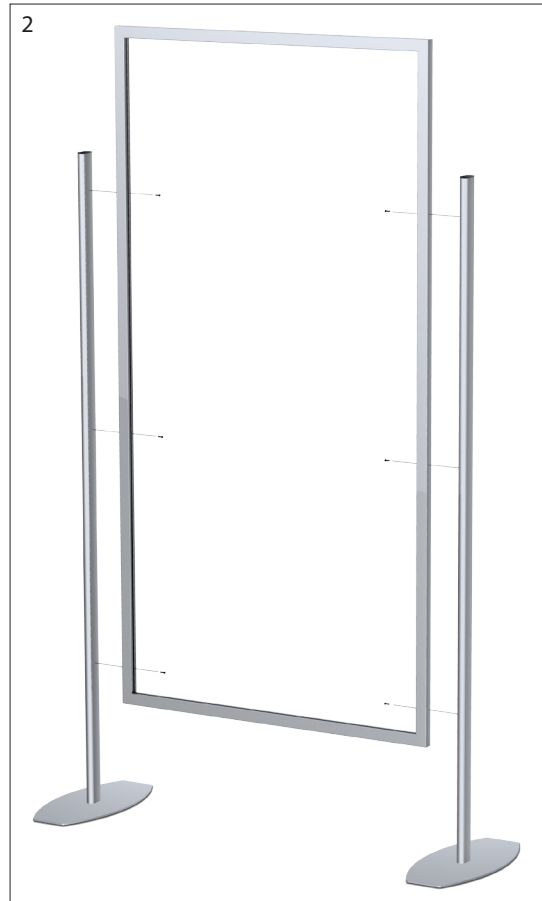
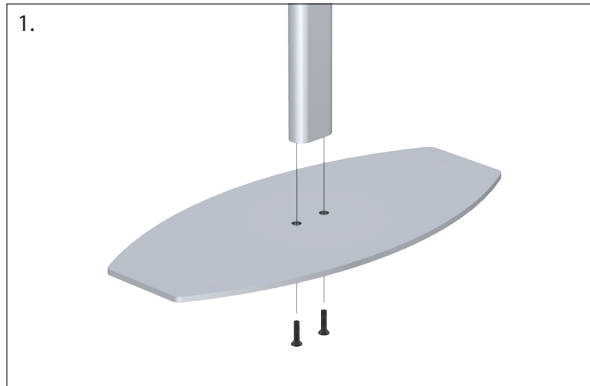


Monster Frame™ - NSTR Series

1. Align upright with base holes and attach using two short flat head screws provided.
When inserting screws, tighten BOTH by hand first. Then, fully tighten using a Phillips head screwdriver.
2. Connect uprights to frame using round head screws provided.

NOTE: Model shown below may differ from your model. Uprights may not align to top of frame.



NSTR3-V shown