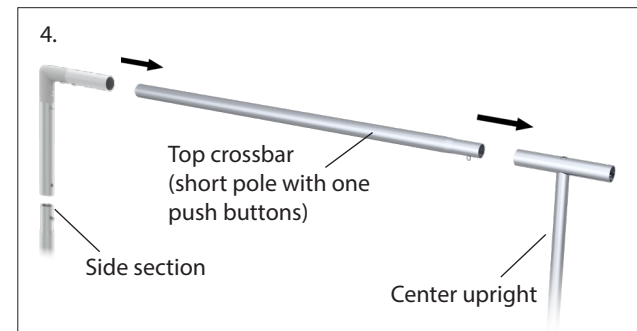
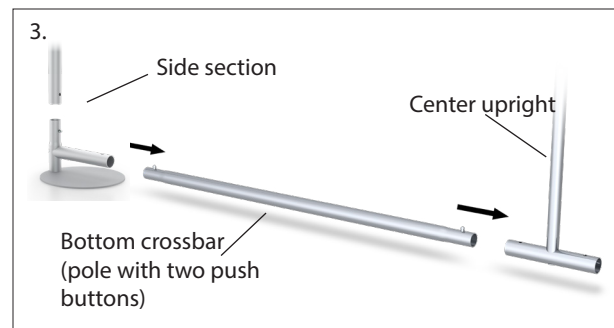
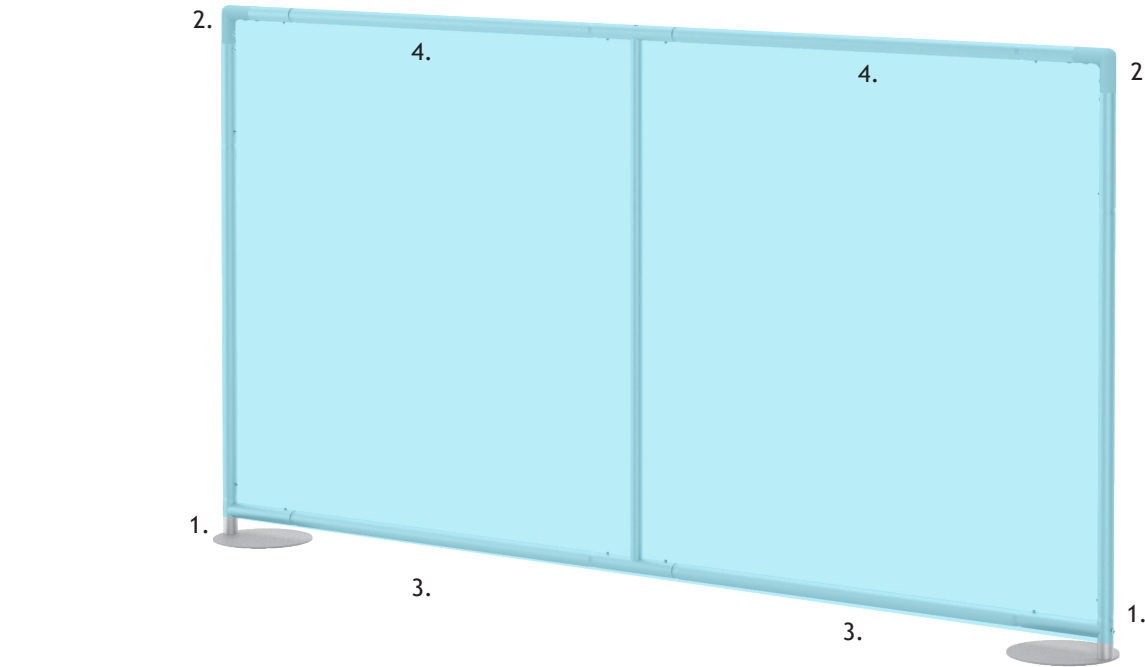
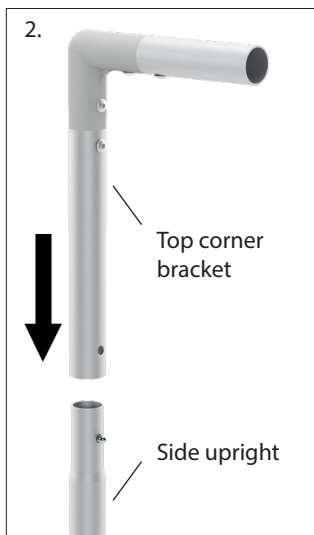
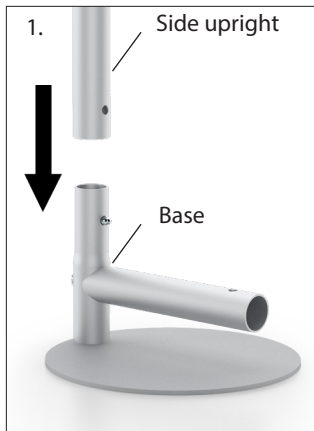


TableTop Tension Fabric Display™ - TBS Series

All tube-ends are labeled with a number sticker. Tube-ends should be connected 1 to 1, 2 to 2, 3 to 3, etc.

1. Connect side upright (long poles with one push button) to base. Repeat for opposite side.
2. Connect top corner bracket to the side upright (long poles with one push button). Repeat for opposite side.
3. Connect side section with bottom crossbar (poles with two push buttons) and center upright. Repeat for opposite side.
4. Connect side section with top crossbar (short poles with one push button) and center upright. Repeat for opposite side.
5. Slide pillowcase graphic over the frame and zipper it closed to complete assembly (not shown).

NOTE: Model shown below may differ from your model, but assembly instructions remain the same.



TBS3 shown